



Installation instructions, accessories

Volvo Car Corporation Gothenburg, Sweden

Instruction No	Version	Part. No.
31338989	1.0	31338976, 31338977, 31338978, 31338979, 31338980, 31338981, 31338982, 31338983, 31338985

Mirrors, door



Installation instructions, accessories

Volvo Car Corporation Gothenburg, Sweden

Special tools

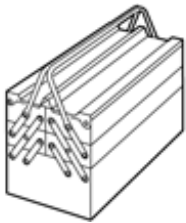
999 7390 Key

Tool number:999 7390

Tool description:Key

Tool boards:80

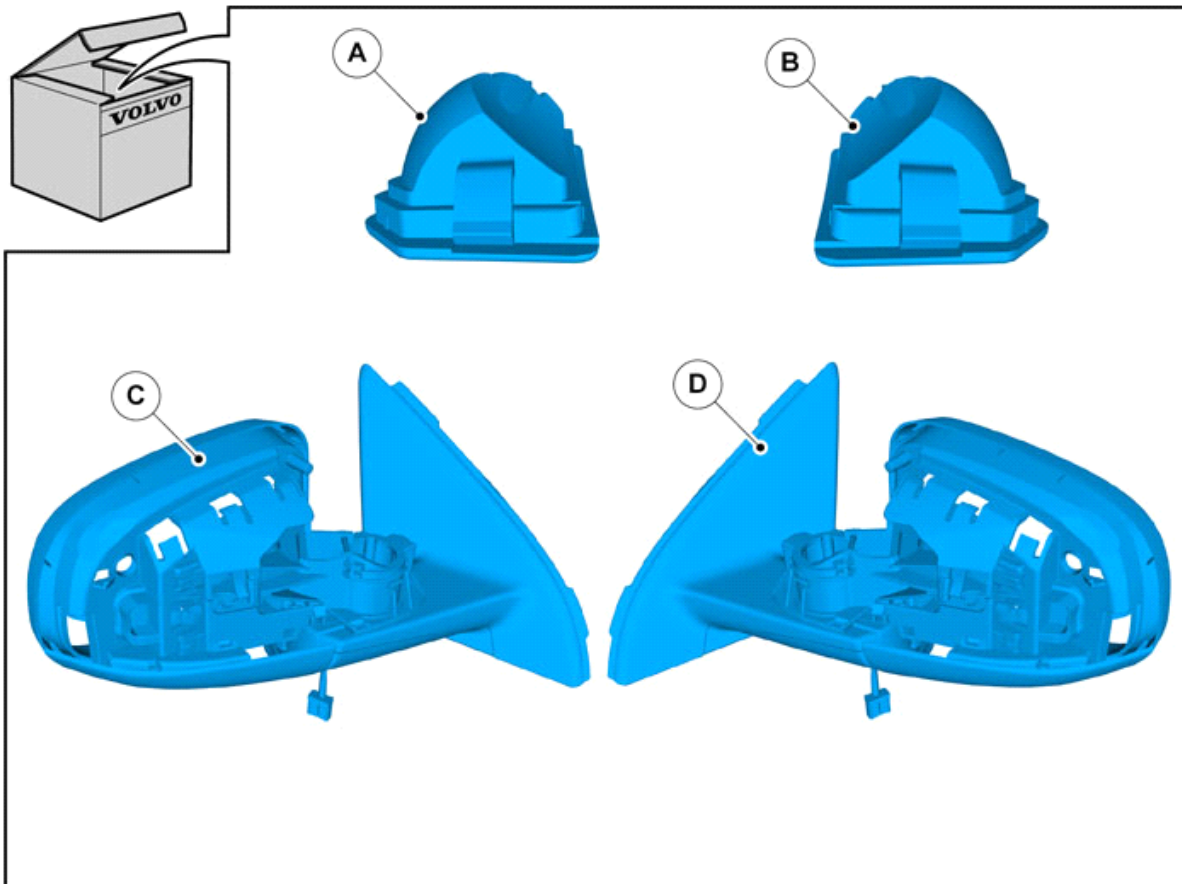
Equipment



IMG-345497

VIDA

IMG-242205

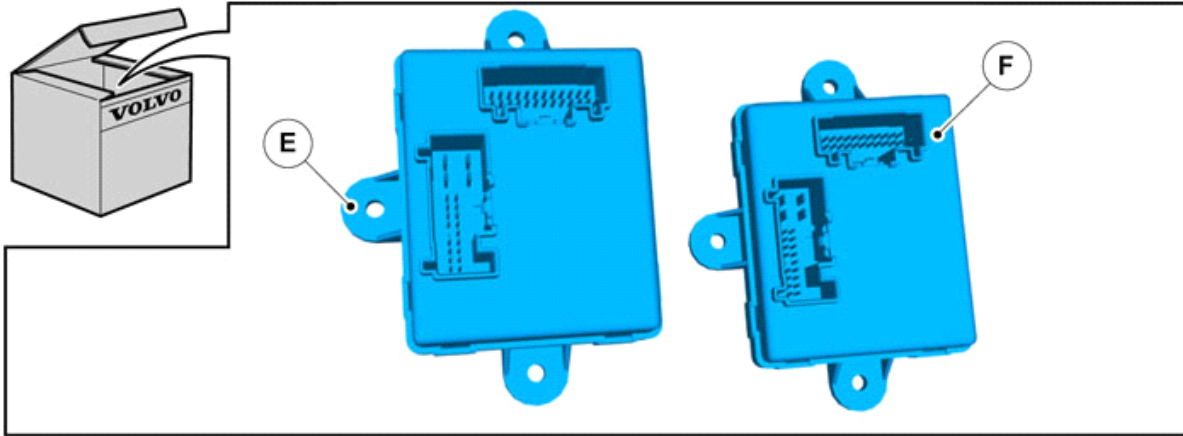


IMG-339496



Installation instructions, accessories

Volvo Car Corporation Gothenburg, Sweden



IMG-339497



Installation instructions, accessories

Volvo Car Corporation Gothenburg, Sweden

Information

1

Read through all of the instructions before starting installation.

Notifications and warning texts are for your safety and to minimise the risk of something breaking during installation.

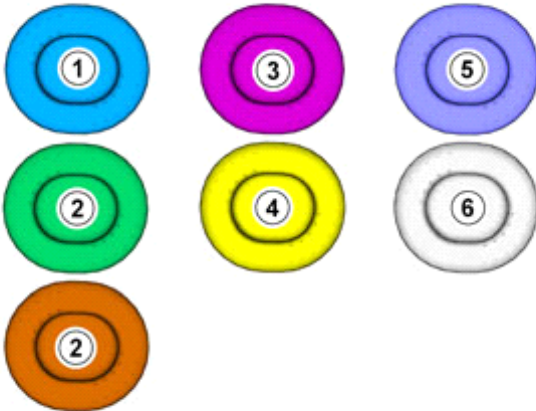
Ensure that all tools stated in the instructions are available before starting installation.

Certain steps in the instructions are only presented in the form of images. Explanatory text is also given for more complicated steps.

In the event of any problems with the instructions or the accessory, contact your local Volvo dealer.

Color symbols

2



IMG-363036

Note!

This colour chart displays (in colour print and electronic version) the importance of the different colours used in the images of the method steps.

1. Used for focused component, the component with which you will do something.
2. Used as extra colors when you need to show or differentiate additional parts.
3. Used for attachments that are to be removed/installed. May be screws, clips, connectors, etc.
4. Used when the component is not fully removed from the vehicle but only hung to the side.
5. Used for standard tools and special tools.
6. Used as background color for vehicle components.

Removal



Installation instructions, accessories

Volvo Car Corporation Gothenburg, Sweden

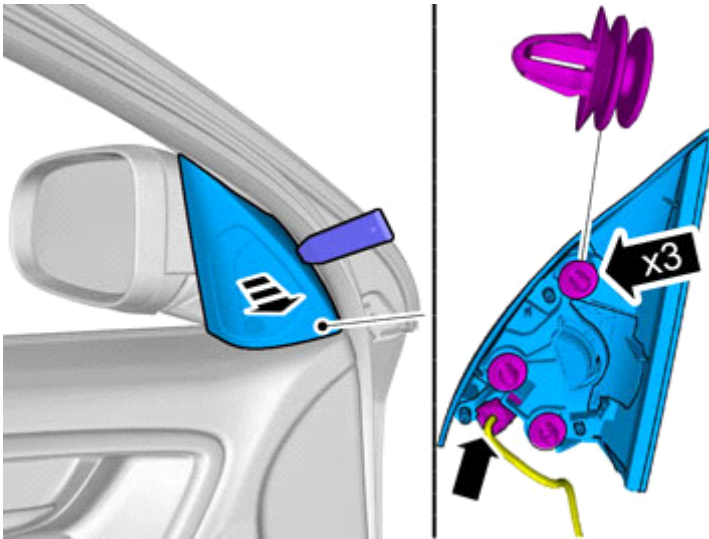
3

Set the ignition key to position 0.



IMG-332193

4

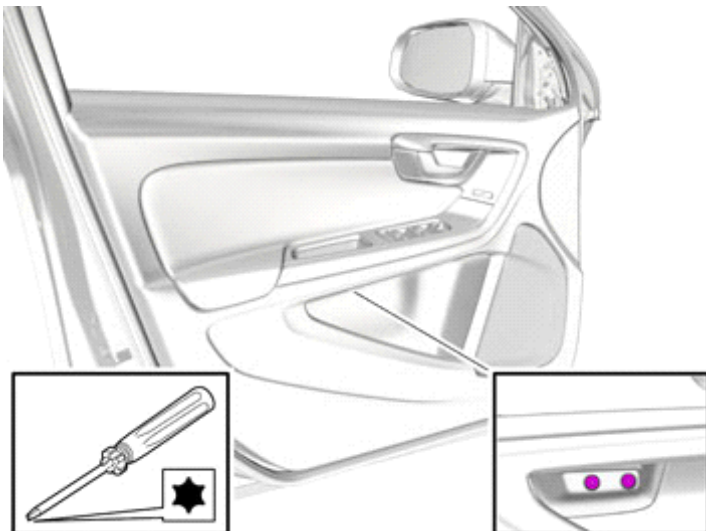


IMG-339501

Remove the panel.

Disconnect any connector(s).

5



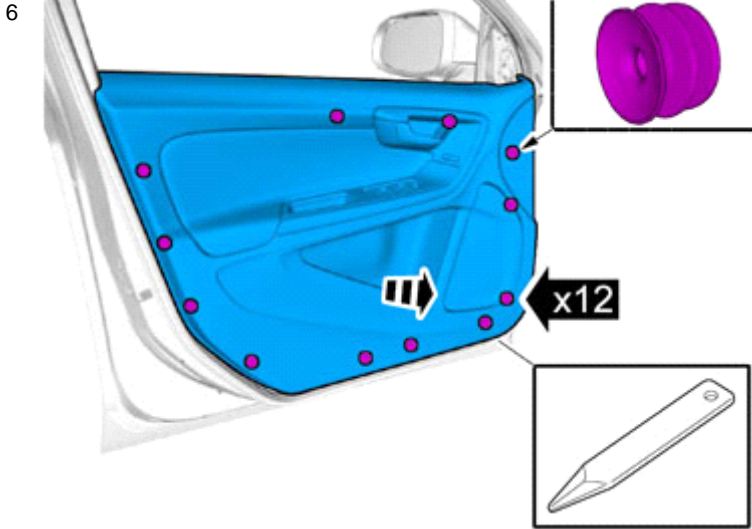
IMG-339510

Remove the screws.



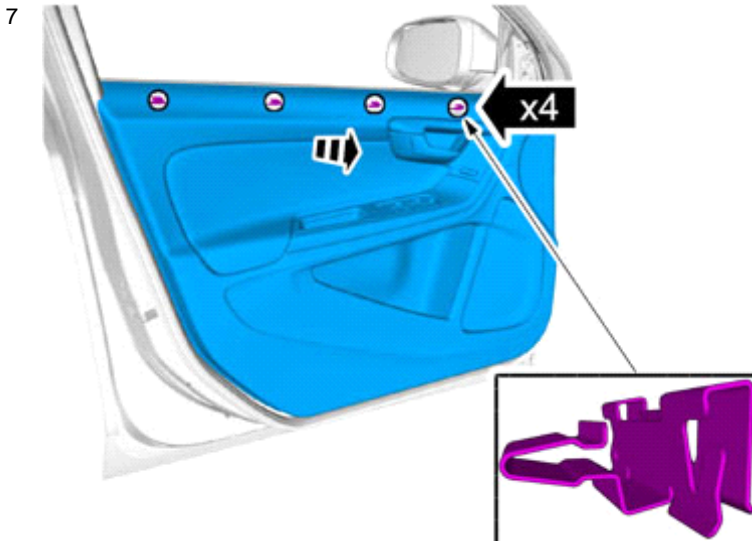
Installation instructions, accessories

Volvo Car Corporation Gothenburg, Sweden

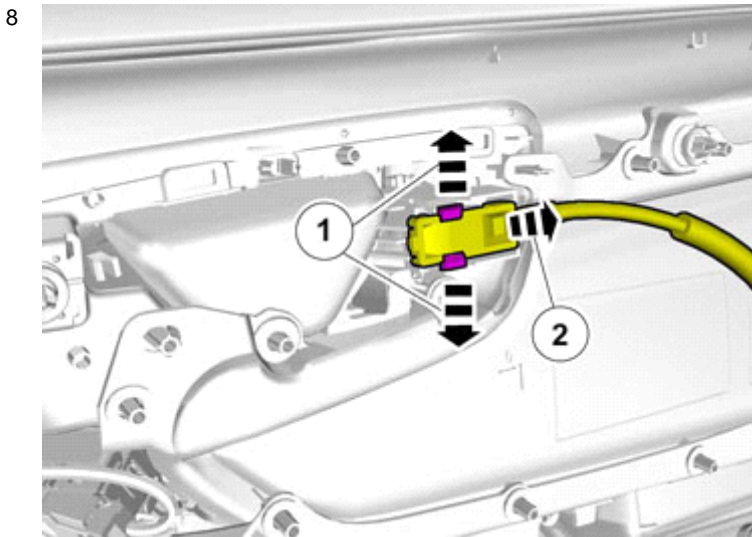


Note!
The clips consist of two parts.

IMG-339518



IMG-339520



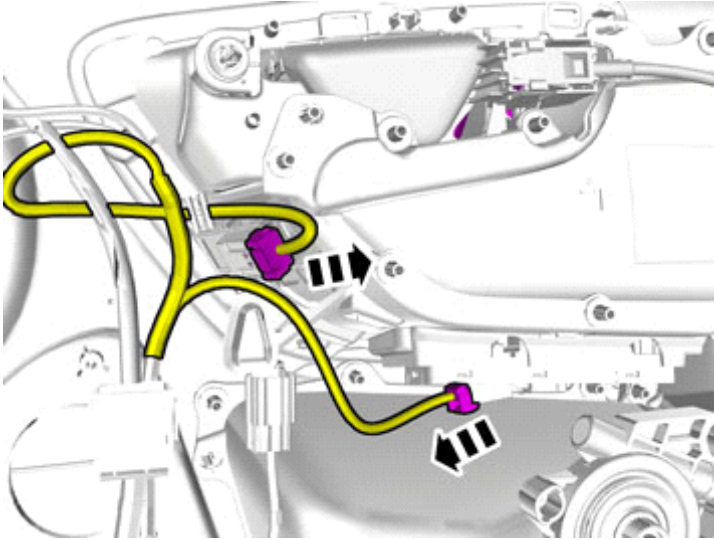
IMG-339530



Installation instructions, accessories

Volvo Car Corporation Gothenburg, Sweden

9



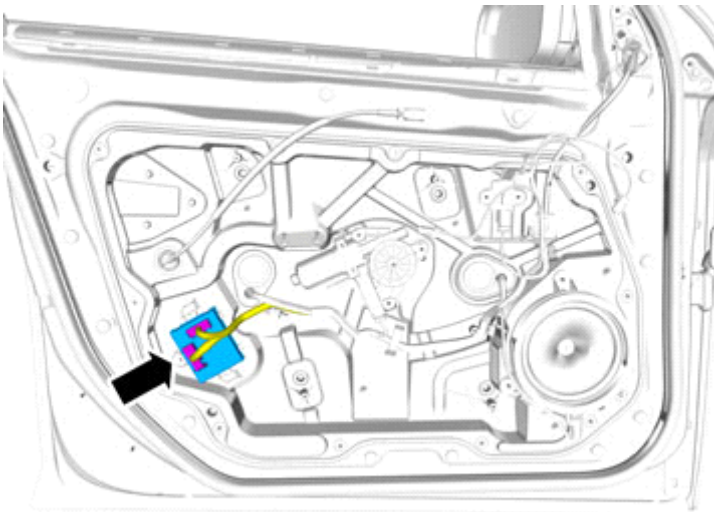
Disconnect the connector.

Remove the panel.

10

Applies when replacing the control module.

11



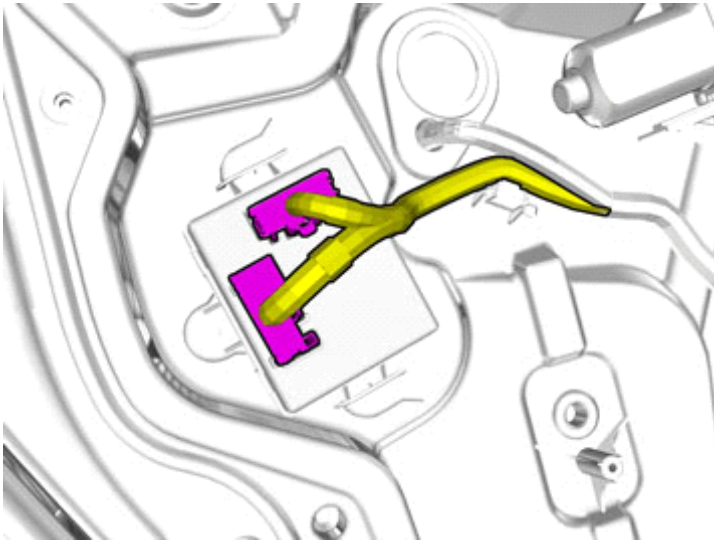
Note!
Orientation view



Installation instructions, accessories

Volvo Car Corporation Gothenburg, Sweden

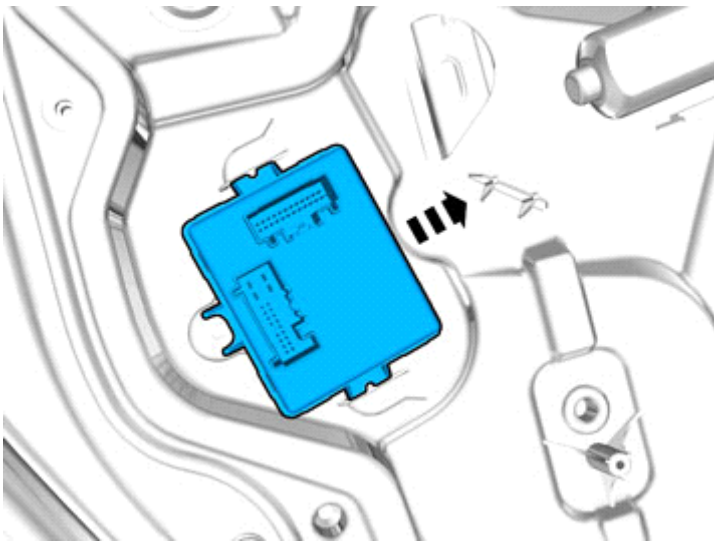
12



IMG-339533

Disconnect the connectors.

13



IMG-339534

The part is not to be reused.

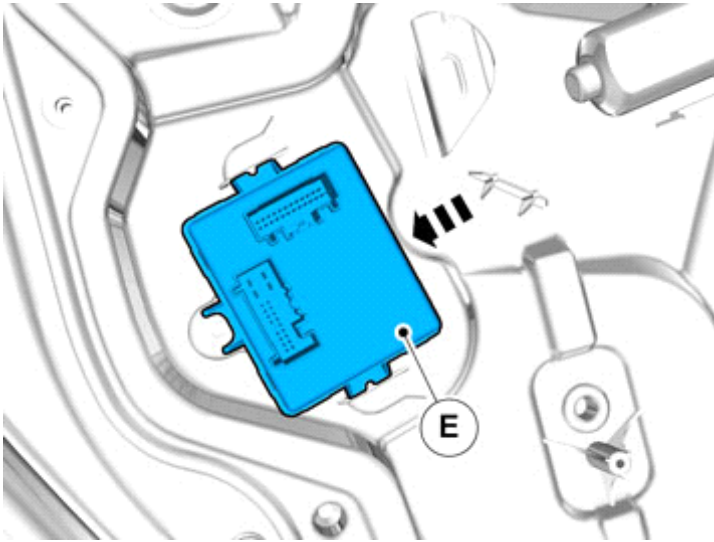
Installation



Installation instructions, accessories

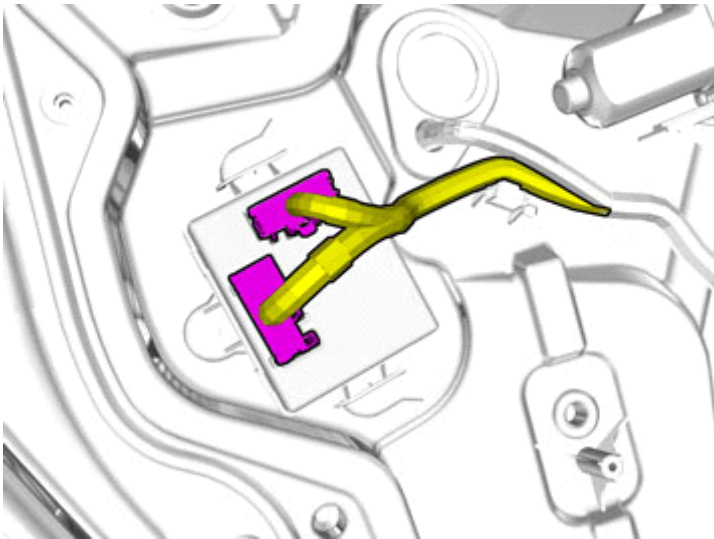
Volvo Car Corporation Gothenburg, Sweden

14



IMG-339535

15



IMG-339533

Connect the connectors.

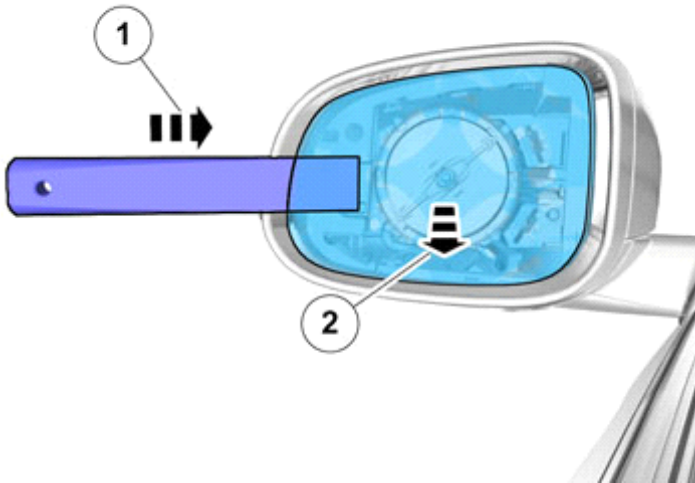
Removal



Installation instructions, accessories

Volvo Car Corporation Gothenburg, Sweden

16



IMG-339536

Caution!

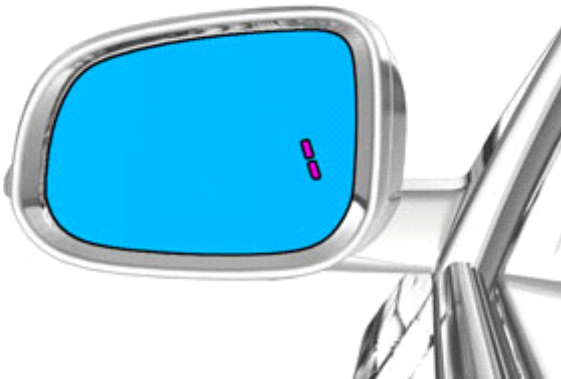
Observe caution, the glass breaks easily.

Remove the glass from the mirror.

Use special tool: T9997390, Key

17

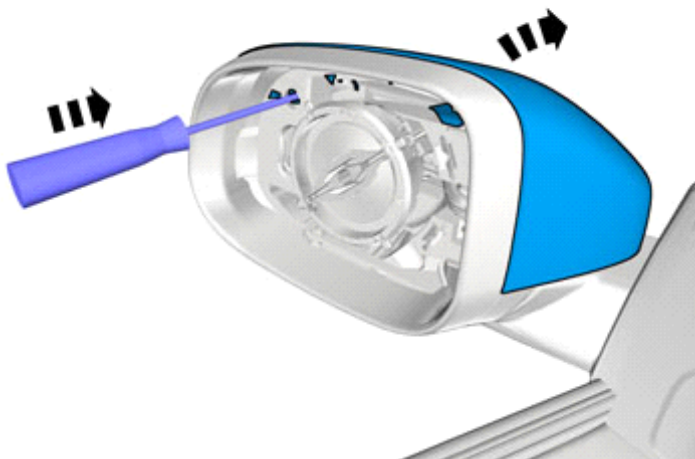
Disconnect the connectors.



IMG-339537

18

Remove the part carefully



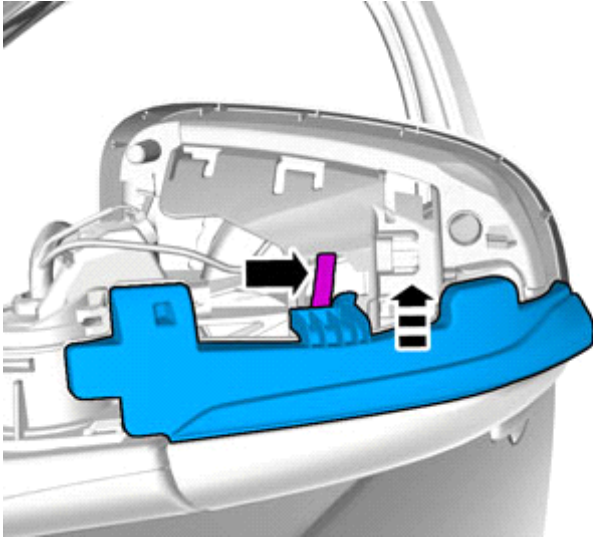
IMG-339538



Installation instructions, accessories

Volvo Car Corporation Gothenburg, Sweden

19

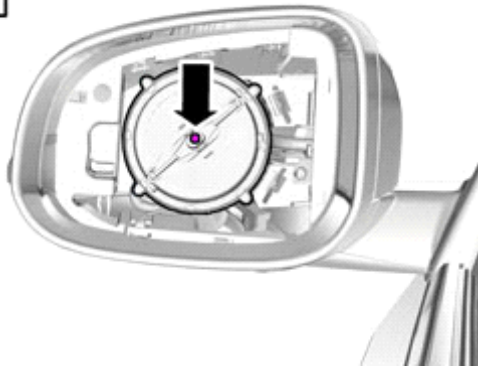
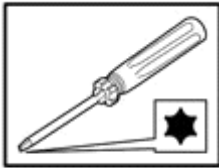


IMG-339541

Release the catch.

Disconnect the connector.

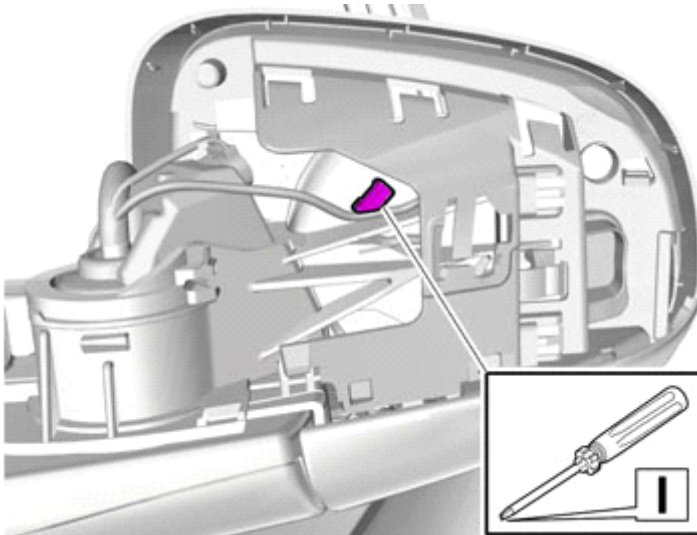
20



IMG-339544

Remove the screws.

21



IMG-339545

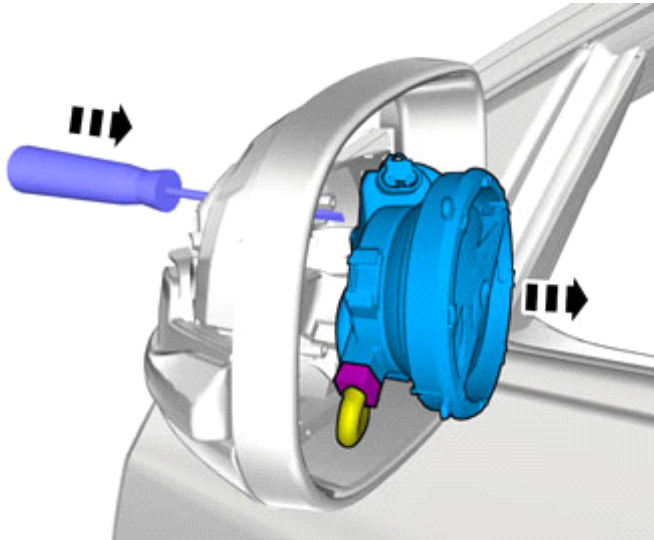
Release the catch.



Installation instructions, accessories

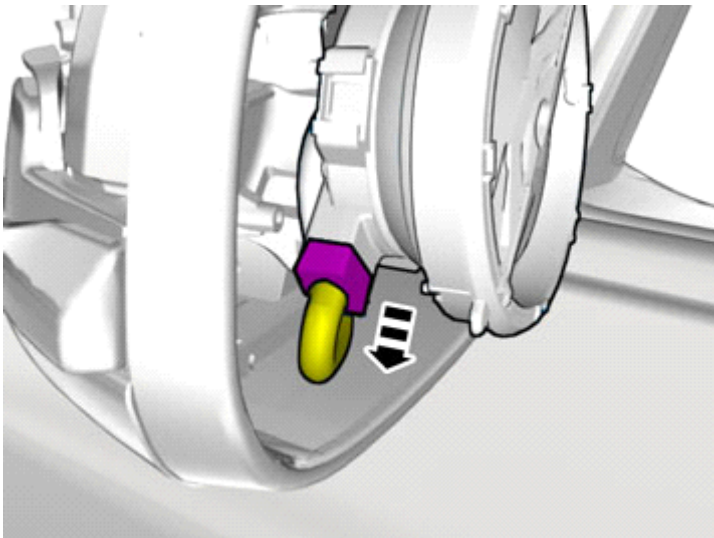
Volvo Car Corporation Gothenburg, Sweden

22



IMG-339546

23



IMG-339547

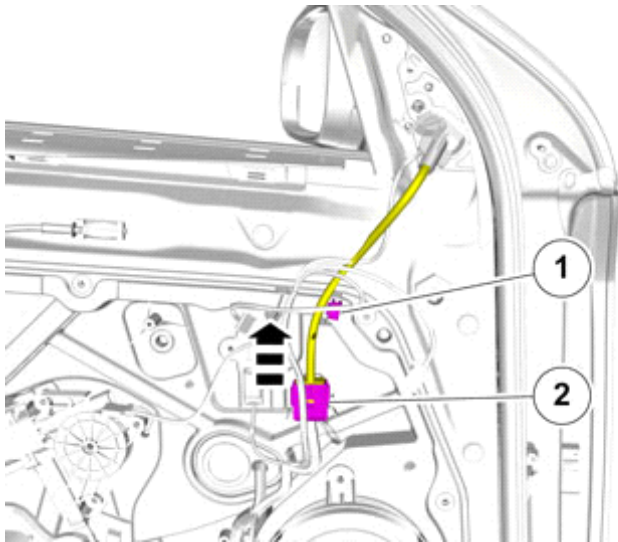
Disconnect the connector.



Installation instructions, accessories

Volvo Car Corporation Gothenburg, Sweden

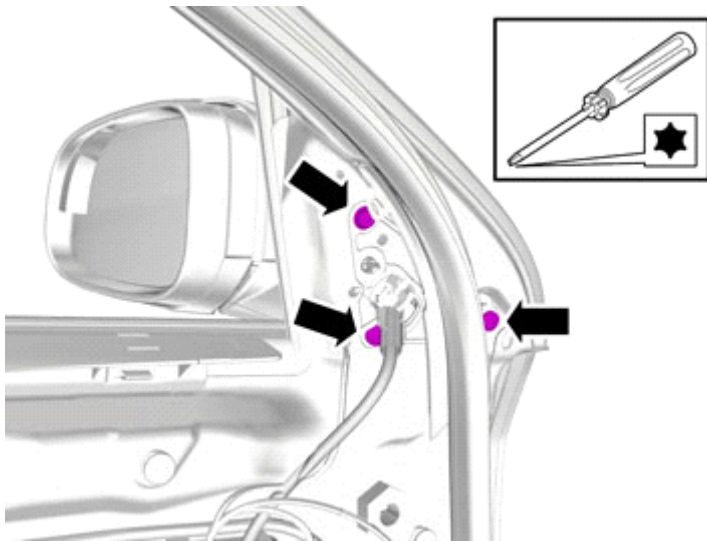
24



IMG-339548

1. Remove the cable harness clips.
2. Disconnect the connector.

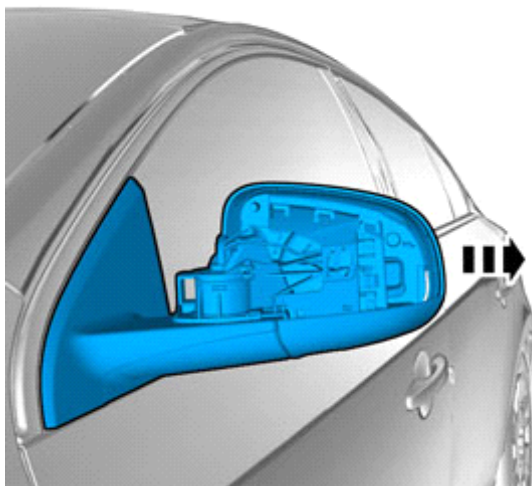
25



IMG-339549

Remove the screws.

26



IMG-339550

The part is not to be reused.



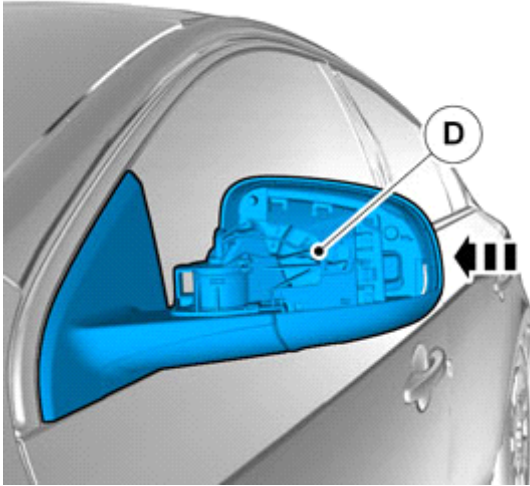
Installation instructions, accessories

Volvo Car Corporation Gothenburg, Sweden

Installation

27

Reinstall the removed parts in reverse order.

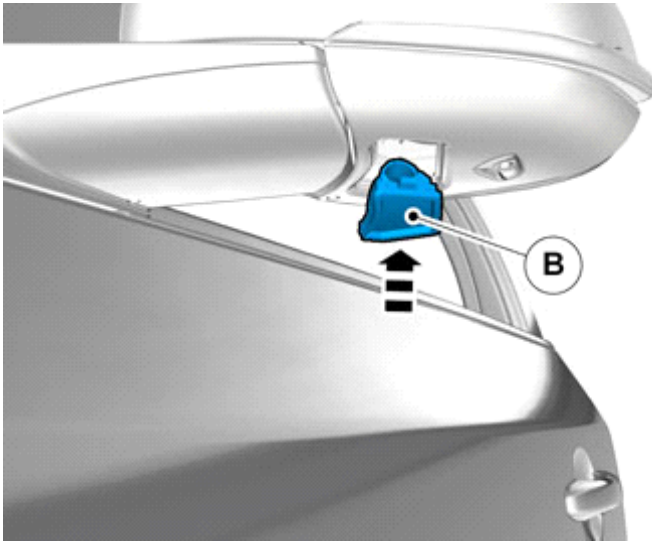


IMG-339551

28

Connect the connector.

Repeat all method steps for the other side.



IMG-339552



Installation instructions, accessories

Volvo Car Corporation Gothenburg, Sweden

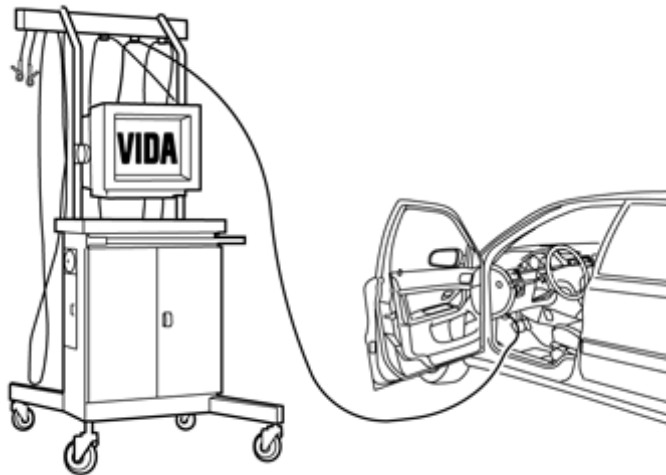
29

Reinstall the removed parts in reverse order.

Repeat all method steps for the other side.

IMG-377070

30



Download software (application) for the accessory's function according to the service information in VIDA. See VIDA or the accessories catalogue for software part number.

IMG-242268